



IMCP03 series is a commercial grade LED canopy luminaire that utilizes high powered LEDs with precise efficient optical control and on board wattage and lumen choices. It provides excellent uniformity, energy efficiency and control for surface mount applications. The versatile and functional features: energy-efficient LED system, rugged design, pendant or junction box mounting options, multiple lumen packages and optical distributions.



SPECIFICATION FEATURES

Construction

- Sealed die-casting profile for indoor and outdoor applications.
- Casting thermally conducts LED heat to optimize performance and long life.
- With corrosion-resistant powder coating that provides protection and architectural appearance while adapting well to the environment in the garage.

Optics

- Lumen output from 3500-7700lm with efficacy up to 164lm/W.
- Switchable color temperature 4000K/5000K.
- Parking Garage photometry.
- Replacing 100W MH and 175W MH.

Electrical

- Universal 120-277VAC input voltage.
- Standard 0-10V dimming.
- Wattage adjustable: 100%, 80%, 60%, 40%.
- Both drivers have a power factor >90%, THD <20%.
- Operating temperature is -40°C to 45°C (-40°F to 113°F).

Note: Operating with emergency battery temperature range: 5°C to 45°C (+41°F - + 113°F).

Controls

- Optional Motion sensor.
- Optional Emergency Battery.

Lifespan

- Estimated 50,000-hour LED lifespan based on IES LM-80 results and TM-21 calculations.

Warranty

- Five-year limited warranty.

Certifications

- UL cUL wet location listed.
- DesignLights Consortium™ Qualified.

Note: Please refer to the DLC website for specific product qualifications at www.designlights.org.

Note

- Actual performance may differ as a result of end-user environment and application. All values are design or typical values, measured under laboratory conditions at 25°C(±5°C) specifications subject to change without notice.

Built-in Emergency Battery (Optional)

8W, 90min



Plug-and-Play Sensor (optional)

Sensor allows for security and energy saving.



Screw plug

Install in 3-Seconds

Mounting Bracket

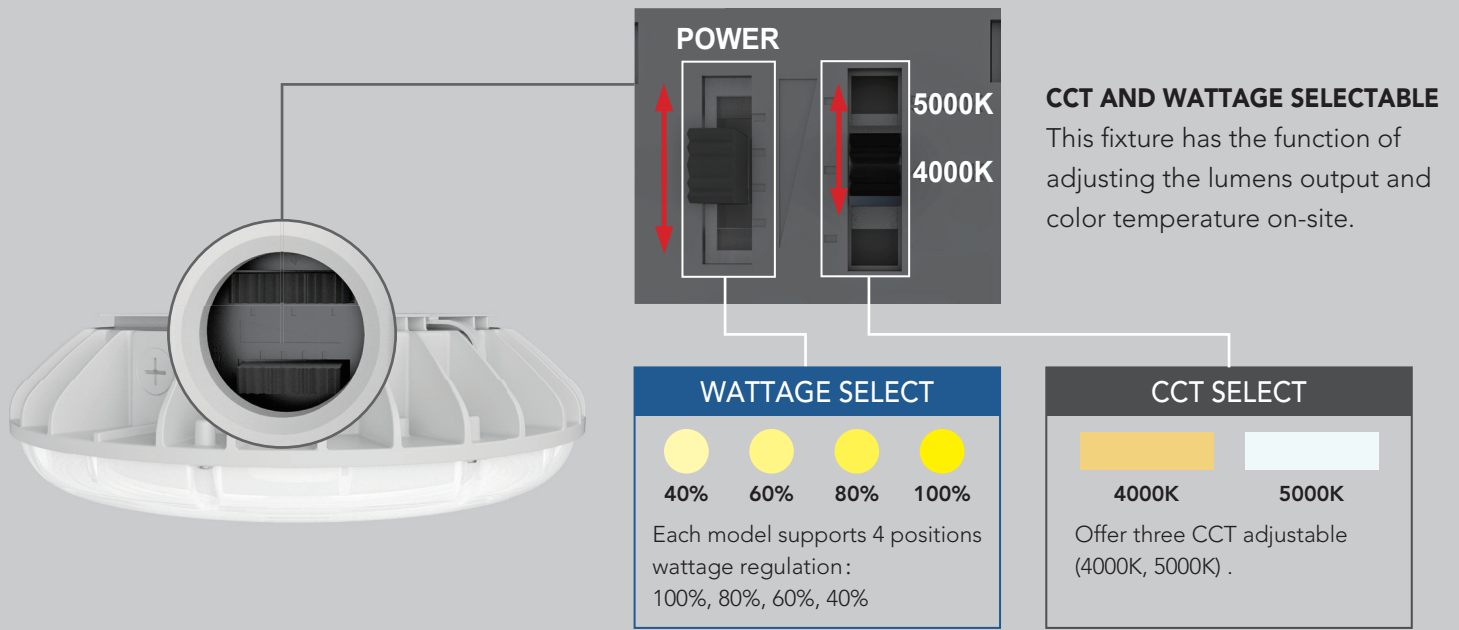
Suitable for J-BOX mounting, and easy for installation, also support pendant mounting, wires coming out from the back for easier wire connections.

Housing



One piece die cast housing better waterproofing, suitable for both indoor and outdoor application.

Photometry

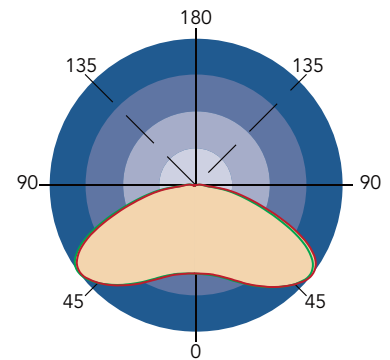
Optional Parking Garage Photometry or Low Bay Photometry as per applications.



ACCESSORIES (Optional)

 <p>Built-in Emergency Battery (Optional) 8W 90min</p>	 <p>Plug-and-Play PIR Sensor PIR sensor: MSANT12VPH01 Bluetooth PIR sensor: MSANT12VPHB01</p>
---	--

PHOTOMETRICS



PERFORMANCE DATA

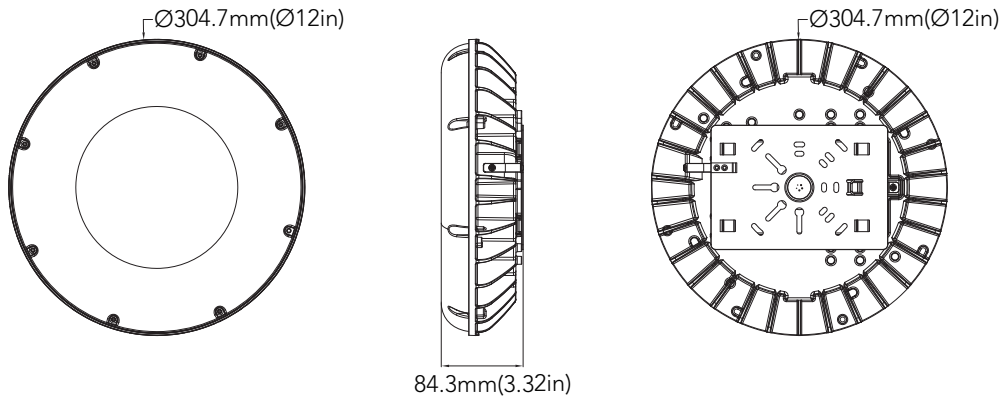
SETTING	SETTING WATTS	LUMENS	LPW	LUMENS	LPW
		4000K (70CRI)	4000K (70CRI)	5000K (70CRI)	5000K (70CRI)
100%	60W	7700lm	128lm/W	7500lm	125lm/W
80%	46W	6500lm	141lm/W	6300lm	137lm/W
60%	34W	5000lm	147lm/W	4900lm	134lm/W
40%	22W	3600lm	164lm/W	3500lm	159lm/W

ELECTRICAL DATA

Number Of Drivers	Driver Current (mA)	Nominal Power (W)	INPUT VOLTAGE (V)	CURRENT (Amps)
1	1050	60	120	0.50
		60	208	0.29
		60	240	0.25
		60	277	0.22

DIMENSION

unit: mm/inch



Weight:
60W: 5.73lbs

MOUNTING



Surface Mounted With J-Box



Conduit Pendant Mount

ORDERING GUIDE

Example: IMCP0360W27VDDKYYYPGY

	Fixture Type	Wattage	Voltage	CCT	Finish	Sensor (Option)	Emergency Battery (Option)	Photometry	CCT and Power Adjustable	Internal Code
IUS	<input type="checkbox"/>	<input type="checkbox"/>	<input type="checkbox"/>	<input type="checkbox"/>	<input type="checkbox"/>	<input type="checkbox"/>	<input type="checkbox"/>	<input type="checkbox"/>	<input type="checkbox"/>	<input type="checkbox"/>
I	MCP03 Canopy Series	60 60W	27V 120-277V	DDK Adjustable color temperature	D Dark Bronze B Black W White	M Motion Sensor Blank Without Sensor	B With Emergency Battery Blank Without Emergency Battery	PG Parking Garage	AD With Adjustment Dial Blank Without Adjustment Dial	Blank Alphanumeric