

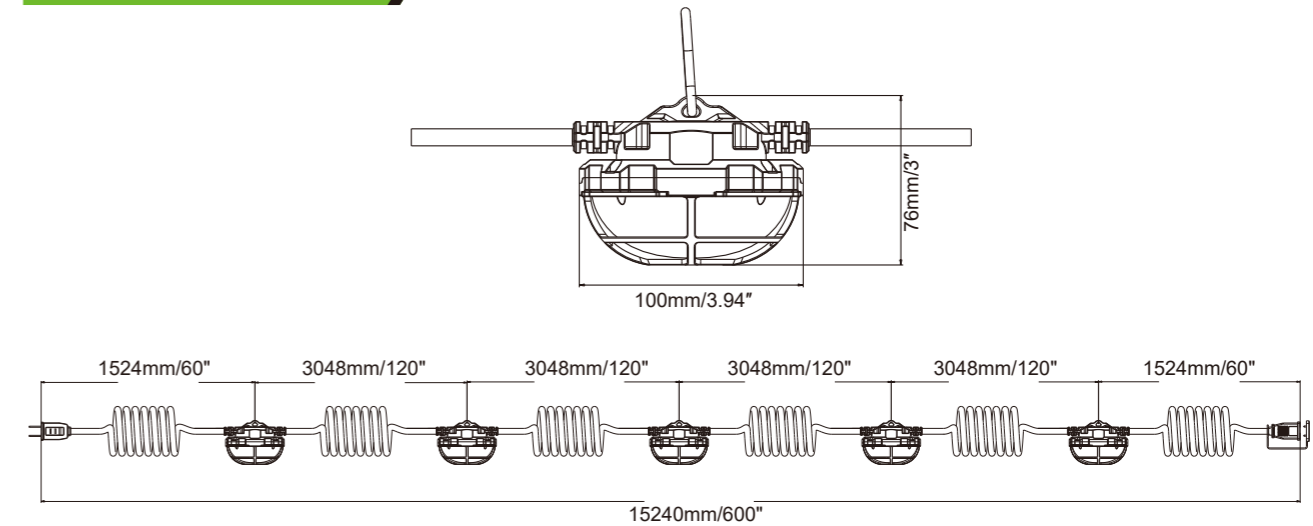
ROUND STRINGER R1



SPECIFICATIONS

ITEM#	INPUT VOLT.	WATT	LUMEN EFFICACY	LM@5000K ±5%	CRI	DIMMABLE	WATER PROOF	WIRE SIZE	LENGTH	PLASTIC COVERS
BWSTL-R1-5-D	AC 120V	55W	125LM/W	7000LM	80	NO	IP65	SJTW 18/2 AWG SJTW 18/3 AWG SJTW 16/2 AWG SJTW 16/3 AWG	50ft	Optional
BWSTL-R1-10-D	AC 120V	110W	125LM/W	14000LM	80	NO	IP65	SJTW 18/2 AWG SJTW 18/3 AWG SJTW 16/2 AWG SJTW 16/3 AWG	100ft	Optional

DIMENSIONS



LINKABLE UNITS

BWSTL-R1-5
5 lamps one set

65W Maximum link 6 sets(18 AWG), 10 sets(16 AWG)

BWSTL-R1-10
10 lamps one set

130W Maximum link 3 sets(18 AWG), 5 sets(16 AWG)

LENGTH

5 lamps one set (Standard)	L=50ft (15m)	10 lamps one set (Standard)	L=100ft (30m)
15 lamps one set	L=150ft (46m)	25 lamps one set	L=250ft (76m)
20 lamps one set	L=200ft (61m)	30 lamps one set	L=300ft (91m)

- Anti-impact
- IP65
- Recycle
- Injection molding cord, strong tensile strength
- Smaller size, only 1/3 of the conventional luminaire

- Long Life 10 years OK
- 120VAC 60Hz
- CRI ≥80
- Dimmable
- IP65
- 5 years warranty
- LED PHILIPS 2835
- LM80
- ETL
- FCC

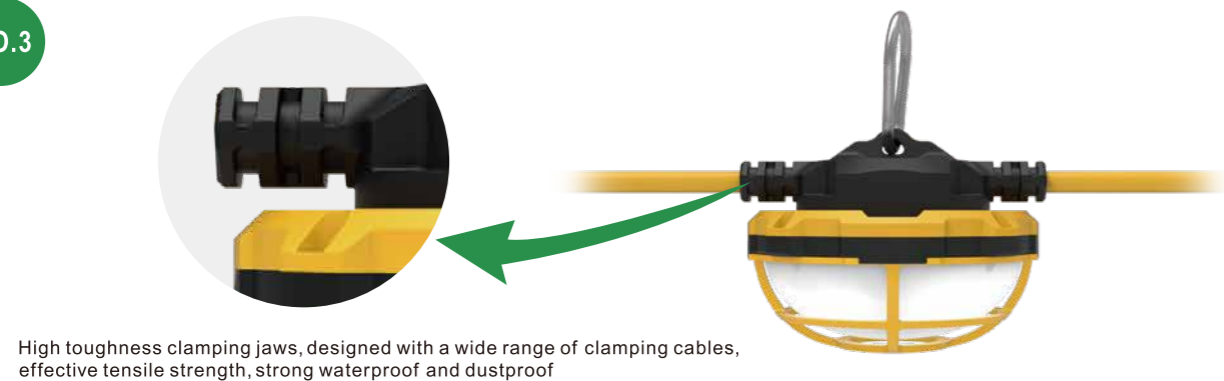
FEATURES



NO.2



NO.3



PACKING INFO

Watt	Inner Box/CM	Master Ctn/CM	L	W	H	CBM/Ctn	Pcs/Ctn	20GP Qty	40HQ Qty
55	22*22*19	45.5*45.5*21	0.455	0.455	0.21	0.043	4	2416	5976
110	44*22*19	45.5*45.5*21	0.455	0.455	0.21	0.043	2	1194	2988

APPLICATIONS



ILLUMINATING US, LLC

813 W Elgin St Broken Arrow, OK 74012

TEL: 918-804-7618 E-mail: Info@illuminatingus.com

CATALOG NUMBER BREAKDOWN

BWSTL-R1-X-X

BW	STL	R1	X	X
Company Name	Product Info	Series	Lamp Qty	
Bestwon	String Light	R1	5=5 lamps 10=10 lamps	Any number Word or Phrase