



Up to 60W LED ceiling light delivers 8,000 lumens for an energy-efficient replacement of 250W MH canopy lights. Traditional style does not detract from current building aesthetics. The economical IMCP05 provides years of maintenance-free general illumination for outdoor applications. Ideal for entrances, parking garage, covered walkways and loading docks.



## SPECIFICATION

### Construction

- Sealed die-casting profile for indoor and outdoor applications.
- Casting thermally conducts LED heat to optimize performance and long life.
- With corrosion-resistant powder coating that provides protection and architectural appearance while adapting well to the environment in the garage.

### Optics

- Lumen output from 3800-8000lm with efficacy up to 141lm/W.
- Light engines are available in standard 4000K, 5000K (70 CRI) configurations.
- Parking Garage Photometry provides a wide light distribution and greater uniformity.

### Electrical

- Universal 120-277VAC or 347-480VAC input voltage.
- 0-10V dimming standard with a dimming range of 100% to 10%.
- Both drivers have a power factor >90%, THD <20%.
- Operating temperature is -40°C to 40°C (-40°F to 113°F).

### Controls

- Optional PIR sensor.
- Optional Microwave sensor.
- Optional Emergency Battery.

### Lifespan

- Estimated 50,000-hour LED lifespan based on IES LM-80 results and TM-21 calculations.

### Warranty

- Five-year limited warranty.

### Certifications

- DesignLights Consortium™ Qualified.
- UL cUL wet location listed.

Note: DesignLights Consortium™ Qualified and classified for DLC Premium, refer to [www.designlights.org](http://www.designlights.org) for details.

### Note

- Actual performance may differ as a result of end-user environment and application. All values are design or typical values, measured under laboratory conditions at 25°C(±5°C) specifications subject to change without notice.

### Mounting Bracket

Suitable for J-BOX mounting, and easy for installation, also support pendant mounting, wires coming out from the back for easier wire connections.



### Built in sensor

Microwave sensor, compact sized, DC input, and remote control. Optional daylight function with sensitive sensing when detect movement.



### Housing

One piece die cast housing better waterproofing, suitable for both indoor and outdoor application.

### Photometry

Parking Garage Photometry provides a wide light distribution and greater uniformity.

### 1/2 inch knock hole

Support wires coming from the hole for easier wire connections. Optional PIR sensor and Emergency Battery.



### Built-in Emergency Battery (Optional)

Easy to install and provides up to 90min of emergency lighting

## PERFORMANCE DATA

SYSTEM WATTS	PHOTOMETRY	VOLTAGE	LUMENS 4000K(70CRI)	LPW 4000K(70CRI)	LUMENS 5000K(70CRI)	LPW 5000K(70CRI)
27W	Parking Garage	120-277VAC	3750 lm	139 lm/W	3800 lm	141 lm/W
40W	Parking Garage	120-277VAC/347-480V	5350 lm	134 lm/W	5450 lm	136 lm/W
60W	Parking Garage	120-277VAC/347-480V	7800 lm	133 lm/W	8000 lm	133 lm/W

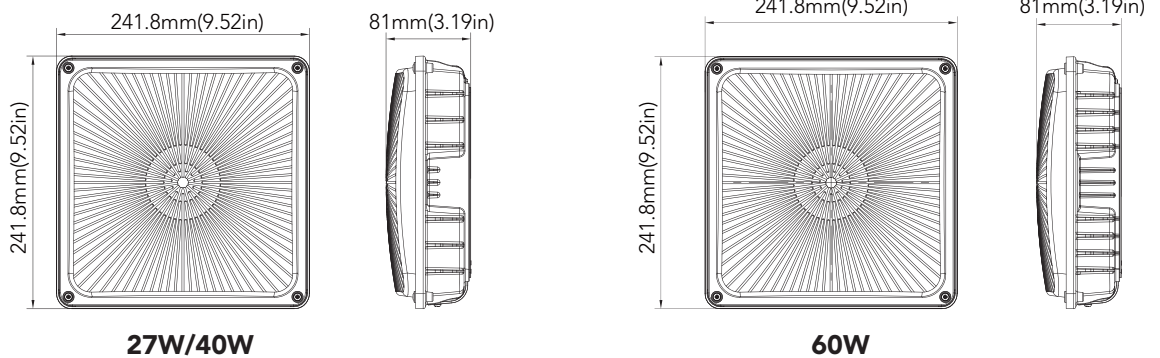
## ELECTRICAL DATA

NUMBER OF DRIVERS	DRIVER CURRENT (mA)	NOMINAL POWER (W)	INPUT VOLTAGE (V)	CURRENT (Amps)
1	670	27	120	0.23
		27	208	0.13
		27	240	0.11
		27	277	0.10
1	980	40	120	0.33
		40	208	0.19
		40	240	0.17
		40	277	0.14
	1020	40	347	0.12
		40	480	0.08
1	1500	60	120	0.50
		60	208	0.29
		60	240	0.25
		60	277	0.22
	1600	60	347	0.17
		60	480	0.13

## DIMENSION

unit: mm/inch

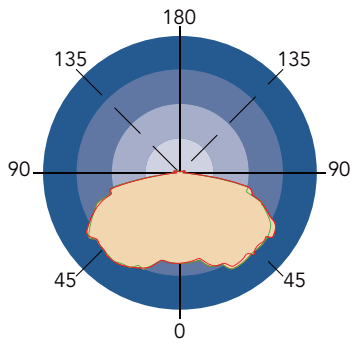
Net Weight:  
27W: 3.615lbs  
40W: 4.166lbs  
60W: 5.070lbs



## ACCESSORIES (Optional)

<b>Built-in Emergency Battery (Optional)</b> 5W, 90min suit for 27W、40W	<b>Emergency Battery Backup</b> 8W, 900lm, 90min.NO. EB box-8W/90min	<b>Microwave Sensor, 12V</b> Description: Sensor can be built-in fixture. NO. US002-01VR	<b>PIR Sensor, 120-277V</b> Description: External sensor can be pre-installed in factory or field installed. NO. BRI819P-LB

# PHOTOMETRICS



## ORDERING GUIDE Example: IMCP0540W27V40KYYYYY

	Fixture Type	Wattage	Input Voltage	CCT	Finish	Sensor (Option)	Dimmable(Option)	Emergency Battery (Option)	Internal Code
<input type="checkbox"/> IUS	<input type="checkbox"/>	<input type="checkbox"/>	<input type="checkbox"/>	<input type="checkbox"/>	<input type="checkbox"/>	<input type="checkbox"/>	<input type="checkbox"/>	<input type="checkbox"/>	<input type="checkbox"/>
I	MCP05 MCP Series	27 27W 40 40W 60 60W	27V 120-277V 48V 347-480V	40K 4000K 50K 5000K	D Dark Bronze B Black W White SG Silver Gray	M With Sensor Blank Without Sensor	D 0-10V Dimmable Blank NO Dimmable	B With Battery Blank Without Battery	Blank Alphanumeric

Note: 1. 27W are limited to 120-277V input only.  
2. Only dimmable version is DLC.

# MOUNTING



Surface Mounted With J-Box

Conduit Pendant Mount